

Fixture #

SPECIFICATIONS:

Double bowl drop-in sink with ledge, off the bowl clamp system, self rimming, SynkSeal™ foam in place gasket installed, exposed surfaces finished to a satin finish, sound deadening pads. Includes template and installation hardware.

OVERALL DIMENSIONS:

Left to Right: 31 1/8" (79cm)
Front to Back: 20 5/8" (52cm)

BOWL DIMENSIONS:

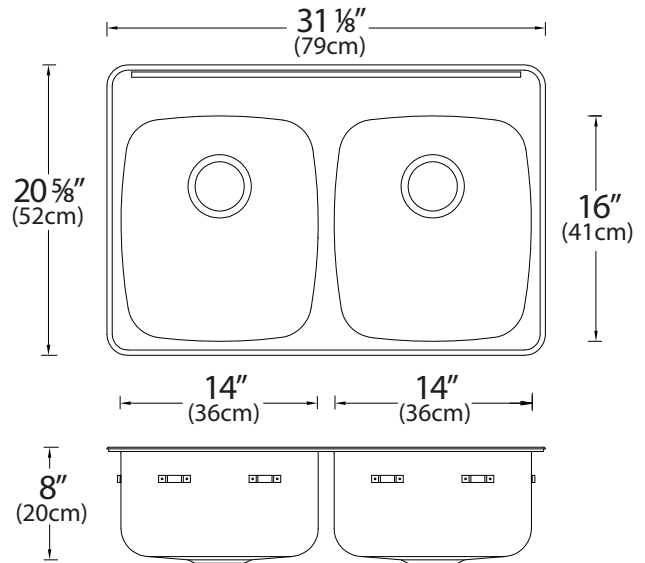
Left to Right: 14" (36cm)
Front to Back: 16" (41cm)
Bowl depth: 8" (20cm)

MATERIAL:

20 gauge, 18-8 stainless steel
301 Series

WASTE:

3 1/2" basket strainer assembly with tailpiece included
Location: Center Rear



PROJECT INFORMATION:

Item Location: _____
Project Number: _____
Project Name: _____
Quote Number: _____
Faucet Model: _____
Notes: _____

HOLE DRILLINGS	Hole Configuration	# to enter above	Check hole selection	1 0	2 4	3 4	3 8	4 R
	1 hole	1	0	<input type="checkbox"/>				
	3 hole, 8" (20cm) centre	3	8	<input type="checkbox"/>				
†	2 hole, 4" (10cm) centre	2	4	<input type="checkbox"/>				
†	3 hole, 4" (10cm) centre	3	4	<input type="checkbox"/>				
	4 hole, 8" (20cm) centre	4	R	<input type="checkbox"/>				
†	Special Holes (drawing must be included)	S	H	<input type="checkbox"/>				

† Indicates custom product and is Non-returnable
All holes are 1 1/2" diameter.

Engineer's Approval

Novanni has a policy of continuous improvement.
All product specifications may change without notice.