

Fixture #

SPECIFICATIONS:

Double bowl drop-in sink with ledge, off the bowl clamp system, self rimming, foam rim gasket installed, exposed surfaces finished to a satin finish, sound deadening pads. Includes template and installation hardware.

OVERALL DIMENSIONS:

Left to Right: 23 5/16" (59cm)
 Front to Back: 18 5/8" (47cm)

BOWL DIMENSIONS:

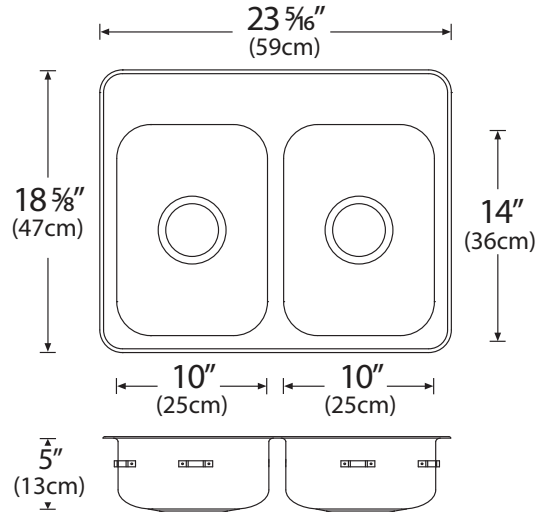
Left to Right: 10" (25cm)
 Front to Back: 14" (36cm)
 Bowl depth: 5" (13cm)

MATERIAL:

20 gauge, 18-8 stainless steel
 301 Series

WASTE:

3 1/2" basket strainer assembly with tailpiece included
 Location: Center



PROJECT INFORMATION:

Item Location: _____
 Project Number: _____
 Project Name: _____
 Quote Number: _____
 Faucet Model: _____
 Notes: _____

| HOLE DRILLINGS | Hole Configuration | # to enter above | Check hole selection | Diagram |
|----------------|--|------------------|----------------------|---------|
| | 1 hole | 1 | 0 | 1 0 |
| | 3 hole, 8" (20cm) centre | 3 | 8 | 3 4 |
| † | 2 hole, 4" (10cm) centre | 2 | 4 | 2 4 |
| † | 3 hole, 4" (10cm) centre | 3 | 4 | 3 8 |
| † | 4 hole, 8" (20cm) centre | 4 | R | 4 R |
| † | Special Holes (drawing must be included) | S | H | |

† Indicates custom product and is Non-returnable
 All holes are 1 1/2" diameter.

Engineer's Approval

Novanni has a policy of continuous improvement. All product specifications may change without notice.