

See Hole Drillings  
Below for Options

Fixture #

**SPECIFICATIONS:**

Double bowl drop-in sink with ledge, off the bowl clamp system, self rimming, foam rim gasket installed, exposed surfaces finished to a satin finish, sound deadening pads. Includes template and installation hardware.

**OVERALL DIMENSIONS:**

Left to Right: 23 5/16" (59cm)  
Front to Back: 18 5/8" (47cm)

**BOWL DIMENSIONS:**

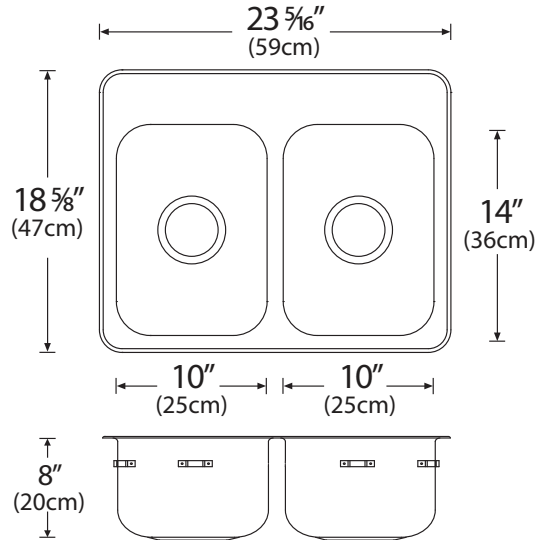
Left to Right: 10" (25cm)  
Front to Back: 14" (36cm)  
Bowl depth: 8" (20cm)

**MATERIAL:**

18 gauge, 18-10 stainless steel  
304 or 316 Series

**WASTE:**

3 1/2" basket strainer assembly with tailpiece included  
Location: Center



**PROJECT INFORMATION:**

Item Location: \_\_\_\_\_  
Project Number: \_\_\_\_\_  
Project Name: \_\_\_\_\_  
Quote Number: \_\_\_\_\_  
Faucet Model: \_\_\_\_\_  
Notes: \_\_\_\_\_

HOLE DRILLINGS	Hole Configuration	# to enter above	Check hole selection	1 0	2 4	3 4	3 8	4 R
	1 hole	1	0	<input type="checkbox"/>	<input type="checkbox"/>			
	3 hole, 8" (20cm) centre	3	8	<input type="checkbox"/>		<input type="checkbox"/>	<input type="checkbox"/>	
†	2 hole, 4" (10cm) centre	2	4	<input type="checkbox"/>		<input type="checkbox"/>	<input type="checkbox"/>	
†	3 hole, 4" (10cm) centre	3	4	<input type="checkbox"/>		<input type="checkbox"/>	<input type="checkbox"/>	
†	4 hole, 8" (20cm) centre	4	R	<input type="checkbox"/>		<input type="checkbox"/>	<input type="checkbox"/>	<input type="checkbox"/>
†	Special Holes (drawing must be included)	S	H	<input type="checkbox"/>				

† Indicates custom product and is Non-returnable  
All holes are 1 1/2" diameter.

Engineer's Approval

Novanni has a policy of continuous improvement.  
All product specifications may change without notice.