

Fixture #

### SPECIFICATIONS:

Single bowl drop-in sink with ledge, off the bowl clamp system, self rimming, foam rim gasket installed, exposed surfaces finished to a satin finish, sound deadening pads. Includes template and installation hardware.

### OVERALL DIMENSIONS:

Left to Right: 25 1/4" (64cm)  
Front to Back: 21 5/8" (55cm)

### BOWL DIMENSIONS:

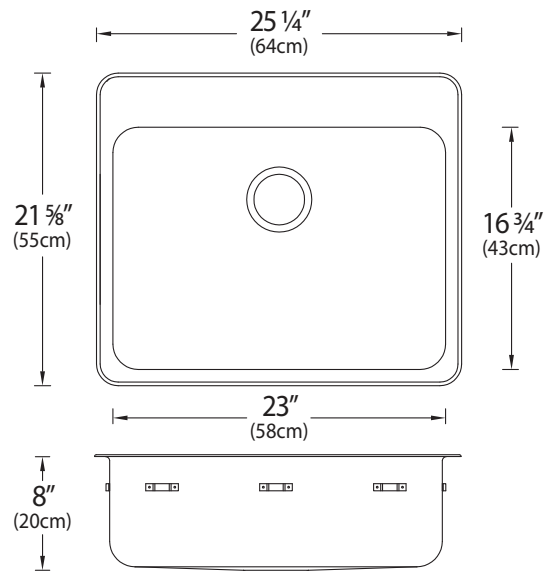
Left to Right: 23" (58cm)  
Front to Back: 16 3/4" (43cm)  
Bowl depth: 8" (20cm)

### MATERIAL:

20 gauge, 18-8 stainless steel  
301 series

### WASTE:

3 1/2" basket strainer assembly with tailpiece included  
Location: Center Rear



### PROJECT INFORMATION:

Item Location: \_\_\_\_\_  
Project Number: \_\_\_\_\_  
Project Name: \_\_\_\_\_  
Quote Number: \_\_\_\_\_  
Faucet Model: \_\_\_\_\_  
Notes: \_\_\_\_\_

HOLE DRILLINGS			1 0	2 4
Hole Configuration	# to enter above	Check hole selection		
1 hole	1 0	<input type="checkbox"/>		
3 hole, 8" (20cm) centre	3 8	<input type="checkbox"/>		
† 2 hole, 4" (10cm) centre	2 4	<input type="checkbox"/>		
† 3 hole, 4" (10cm) centre	3 4	<input type="checkbox"/>		
† 4 hole, 8" (20cm) centre	4 R	<input type="checkbox"/>		
† Special Holes (drawing must be included)	S H	<input type="checkbox"/>		

† Indicates custom product and is Non-returnable  
All holes are 1 1/2" diameter.

Engineer's Approval

Novanni has a policy of continuous improvement.  
All product specifications may change without notice.