

See Hole Drillings Below for Options

Fixture #

**SPECIFICATIONS:**

Single bowl drop-in sink with ledge, off the bowl clamp system, self rimming, SynkSeal™ foam in place gasket installed, exposed surfaces finished to a satin finish, sound deadening pads. Includes template and installation hardware.

**OVERALL DIMENSIONS:**

Left to Right: 24" (61cm)  
Front to Back: 21" (53cm)

**BOWL DIMENSIONS:**

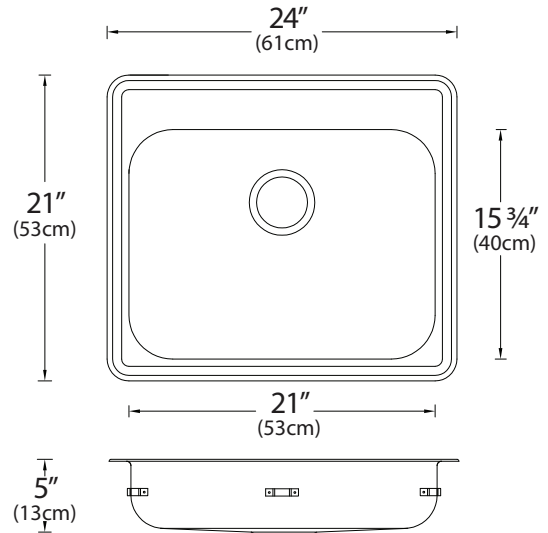
Left to Right: 21" (53cm)  
Front to Back: 15 3/4" (40cm)  
Bowl depth: 5" (13cm)

**MATERIAL:**

18 gauge, 18-108 stainless steel  
304 or 316 Series

**WASTE:**

3 1/2" basket strainer assembly with tailpiece included  
Location: Center Rear



**PROJECT INFORMATION:**

Item Location: \_\_\_\_\_  
Project Number: \_\_\_\_\_  
Project Name: \_\_\_\_\_  
Quote Number: \_\_\_\_\_  
Faucet Model: \_\_\_\_\_  
Notes: \_\_\_\_\_

HOLE DRILLINGS			1 0	2 4
Hole Configuration	# to enter above	Check hole selection		
1 hole	1 0	<input type="checkbox"/>		
3 hole, 8" (20cm) centre	3 8	<input type="checkbox"/>		
† 2 hole, 4" (10cm) centre	2 4	<input type="checkbox"/>		
† 3 hole, 4" (10cm) centre	3 4	<input type="checkbox"/>		
† 4 hole, 8" (20cm) centre	4 R	<input type="checkbox"/>		
† Special Holes (drawing must be included)	S H	<input type="checkbox"/>		

† Indicates custom product and is Non-returnable  
All holes are 1 1/2" diameter.

Engineer's Approval

Novanni has a policy of continuous improvement. All product specifications may change without notice.