

See Hole Drillings Below for Options

Fixture #

SPECIFICATIONS:

Single bowl drop-in sink with ledge, off the bowl clamp system, self rimming, SynkSeal™ foam in place gasket installed, exposed surfaces finished to a satin finish, sound deadening pads. Includes template and installation hardware.

OVERALL DIMENSIONS:

Left to Right: 24" (61cm)
 Front to Back: 21" (53cm)

BOWL DIMENSIONS:

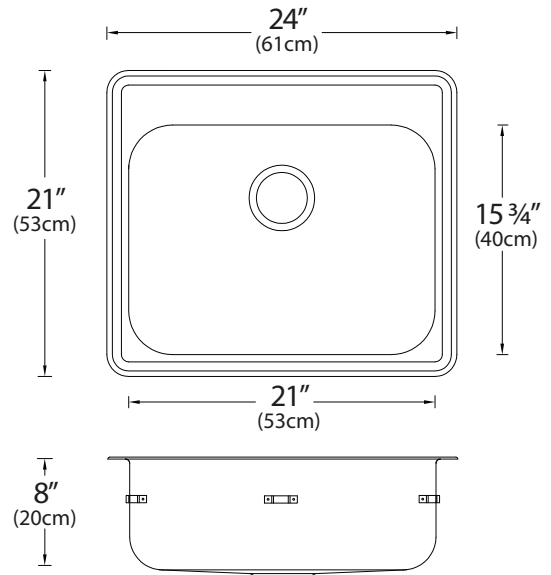
Left to Right: 21" (53cm)
 Front to Back: 15 3/4" (40cm)
 Bowl depth: 8" (20cm)

MATERIAL:

18 gauge, 18-10 stainless steel
 304 or 316 Series

WASTE:

3 1/2" basket strainer assembly with tailpiece included
 Location: Center Rear



PROJECT INFORMATION:

Item Location: _____
 Project Number: _____
 Project Name: _____
 Quote Number: _____
 Faucet Model: _____
 Notes: _____

HOLE DRILLINGS				1 0		2 4	
Hole Configuration	# to enter above	Check hole selection					
1 hole	1 0	<input type="checkbox"/>					
3 hole, 8" (20cm) centre	3 8	<input type="checkbox"/>					
† 2 hole, 4" (10cm) centre	2 4	<input type="checkbox"/>					
† 3 hole, 4" (10cm) centre	3 4	<input type="checkbox"/>					
† 4 hole, 8" (20cm) centre	4 R	<input type="checkbox"/>					
† Special Holes (drawing must be included)	S H	<input type="checkbox"/>					

† Indicates custom product and is Non-returnable
 All holes are 1 1/2" diameter.

Engineer's Approval

Novanni has a policy of continuous improvement.
 All product specifications may change without notice.