

Fixture #

SPECIFICATIONS:

Single bowl drop-in sink with ledge, off the bowl clamp system, self rimming, SynkSeal™ foam in place gasket installed, exposed surfaces finished to a satin finish, sound deadening pads. Includes template and installation hardware.

OVERALL DIMENSIONS:

Left to Right: 15" (38cm)
Front to Back: 15" (38cm)

BOWL DIMENSIONS:

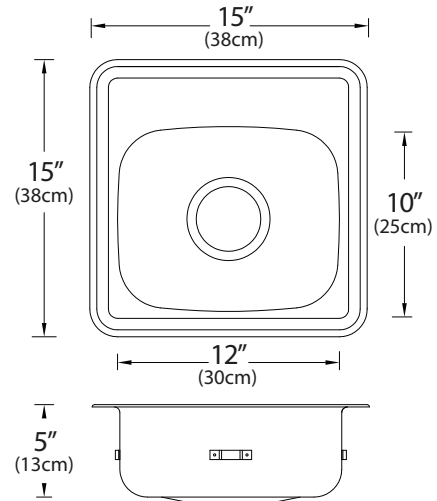
Left to Right: 12" (30cm)
Front to Back: 10" (25cm)
Bowl depth: 5" (13cm)

MATERIAL:

20 gauge, 18-8 stainless steel
301 Series

WASTE:

3 1/2" basket strainer assembly with tailpiece included
Location: Center



PROJECT INFORMATION:

Item Location: _____
 Project Number: _____
 Project Name: _____
 Quote Number: _____
 Faucet Model: _____
 Notes: _____

HOLE DRILLINGS			
Hole Configuration	# to enter above	Check hole selection	
1 hole	1 0	<input type="checkbox"/>	1 0
2 hole, 4" (10cm) centre	2 4	<input type="checkbox"/>	2 4
† Special Holes (drawing must be included)	S H	<input type="checkbox"/>	

† Indicates custom product and is Non-returnable
 All holes are 1 1/2" diameter.

Engineer's Approval

Novanni has a policy of continuous improvement.
 All product specifications may change without notice.