

Fixture #

**SPECIFICATIONS:**

Single bowl drop-in sink with ledge, off the bowl clamp system, self rimming, SynkSeal™ foam in place gasket installed, exposed surfaces finished to a satin finish, sound deadening pads. Includes template and installation hardware.

**OVERALL DIMENSIONS:**

Left to Right: 15" (38cm)  
 Front to Back: 15" (38cm)

**BOWL DIMENSIONS:**

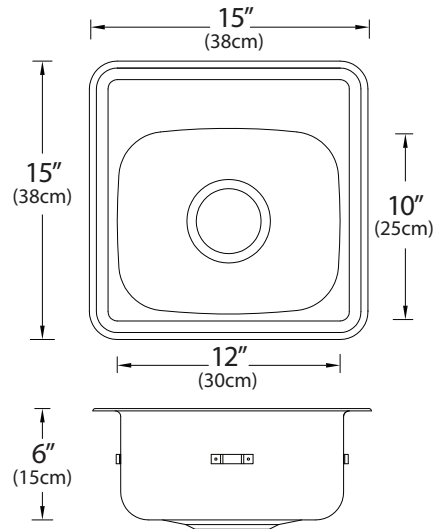
Left to Right: 12" (30cm)  
 Front to Back: 10" (25cm)  
 Bowl depth: 6" (15cm)

**MATERIAL:**

20 gauge, 18-8 stainless steel  
 301 Series

**WASTE:**

3 1/2" basket strainer assembly with tailpiece included  
 Location: Center



**PROJECT INFORMATION:**

Item Location: \_\_\_\_\_  
 Project Number: \_\_\_\_\_  
 Project Name: \_\_\_\_\_  
 Quote Number: \_\_\_\_\_  
 Faucet Model: \_\_\_\_\_  
 Notes: \_\_\_\_\_

| HOLE DRILLINGS                                |                  |                          |           |
|---|------------------|--------------------------|-----------|
| Hole Configuration                            | # to enter above | Check hole selection     |           |
| 1 hole  | 1 0              | <input type="checkbox"/> | 1 0       |
| 2 hole, 4" (10cm) centre                      | 2 4              | <input type="checkbox"/> | 2 4<br>4" |
| † Special Holes<br>(drawing must be included) | S H              | <input type="checkbox"/> |           |

† Indicates custom product and is Non-returnable  
 All holes are 1 1/2" diameter.

Engineer's Approval

Novanni has a policy of continuous improvement.  
 All product specifications may change without notice.